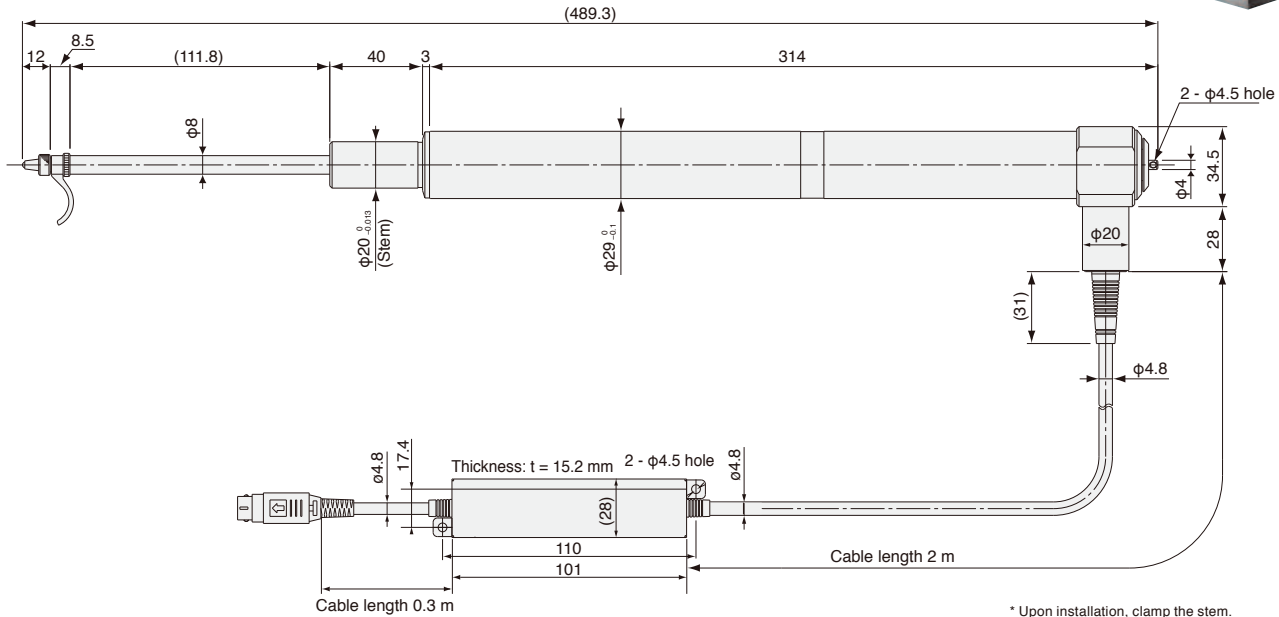
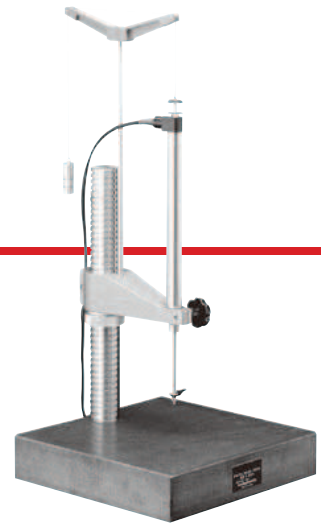


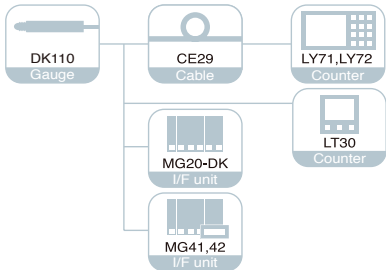
DK DK110

Resolution **0.5 μ m** Stem **ϕ 20** Stroke **110mm** Output **A/B phase**



* Upon installation, clamp the stem.

Unit: mm



Specifications

Model	DK110NLR5
Measuring range	110 mm
Maximum resolution	0.5 μ m
Accuracy (at 20°C/68°F)	4 μ m
Maximum response speed	250 m/min
Reference point	Position at spindle movement of 5 mm
Reference-point response speed	Same as the noted maximum response speed
Output	A/B/reference point Voltage-differential line driver output (conforming to EIA-422)
Spindle drive system	Spring push
Protection grade ¹	IP50
Vibration resistance	10 to 2000 Hz 150 m/s ²
Impact resistance	1500 m/s ² 11 ms
Operating temperature	0 to 50 °C
Storage temperature	-20 to 60 °C
Power supply	5 VDC \pm 5 %
Power consumption	1 W
Mass ²	Approx. 800 g
Output cable length	2.4 m
Feeler	Carbide ball tip, Mounting screw M2.5
Accessories	Instruction Manual, +P M4 \times 5 screw (2pc), Lift lever DZ-161

¹ Excluding the interpolation box and connector

² Excluding cable section and interpolation box